

## 40x Intelligent Zoom Stabilization iA PTZ Camera

Panasonic WV-X6511N captures the highest quality images automatically even in very challenging and fast-changing surveillance environments. Outstanding Intelligent Zoom Stabilization to increase visibility under blur condition. Intelligent Auto (iA) monitors scene dynamics and motion to adjust key camera settings automatically in real-time reducing distortion such as motion blur on moving objects. Adopting H.265 Smart Coding technology, intelligently reduces bandwidth efficiency of up to 95%\* over H.264 for longer recording and less storage. \*Value in Advanced mode. It depends on the scene.

### Extreme image quality for evidence capturing under challenging conditions

- Long-distance vision with high power 40x zoom lens and Intelligent Zoom Stabilization for pole mounts on roadways
- Sharp and clear image of fast moving vehicles with Intelligent Auto and ClearSight Coating
- Outstanding low light performance in true color with low noise for night time applications
- Super Dynamic 144dB for backlit situation by headlights and shadows on the streets at night
- Environmental durability: IP66, IK10, Long life Pan/Tilt gear mechanism, Wide operating temperature up to 60 °C (140 °F) and electric dehumidifier

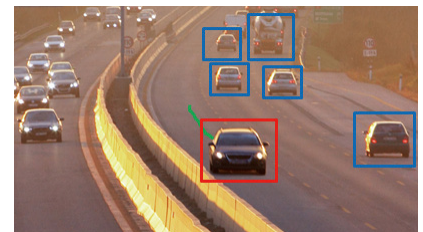
### Extreme H.265 compression with new Smart Coding

- Longer recording, less storage compared to H.264 based compression techniques
- New self-learning ROI\* encoding (Auto VIQS) dynamically detect motion areas to keep vehicles and human in good picture quality while lowering your bandwidth \* Region of Interest

### Built-in Vehicle Incident Detection\*

- Incident detection: Wrong-way, Stopped vehicle with video analytic technology
- Send alarm to Video Management System and/or Traffic Management System for immediate action
- The function is built-in the camera. No additional server is required.

\*Optional software



Wrong-way detection \*The photo is for illustrative purposes only

### Key Features

- HD 1280x720 60fps
- Intelligent Zoom Stabilization with 40x optical zoom
- ClearSight Coating
- Durable Pan/Tilt gear mechanism
- iA (intelligent Auto)
- Extreme Super Dynamic 144dB
- Color night vision (0.0007 to 0.011 lx)
- IP66, IK10 certified
- Wider operating temperature range  
-50 °C to +60 °C (-58 °F to +140 °F)

### Applications

- Traffic
- Safe city
- Railway
- Critical infrastructure
- Airport
- Stadium



# Specifications

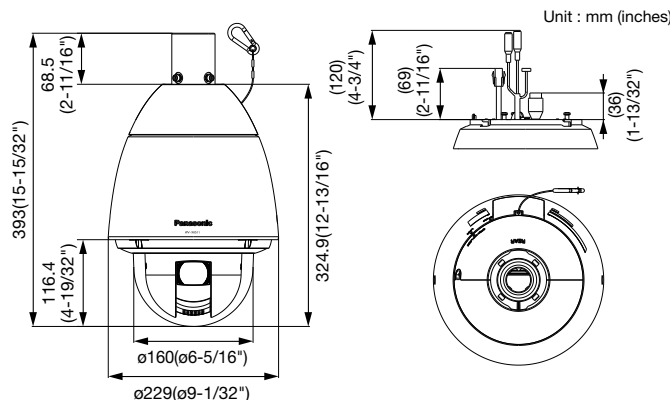
|                    |   |   |  |
|--------------------|---|---|--|
| <b>Camera</b>      | Image Sensor  | Approx. 1/2.8 type MOS image sensor   |  |
|                    | Minimum Illumination  | Color : 0.011 lx, BW : 0.005 lx<br>(F1.6, Maximum shutter : Off (1/30s), AGC : 11)<br>Color : 0.0007 lx, BW : 0.0003 lx<br>(F1.6, Maximum shutter : Max. 16/30s, AGC : 11)*1                    |  |
|                    | Intelligent Auto  | On / Off  |  |
|                    | Shutter Speed   | 1/30 Fix to 1/10000 Fix<br>*1/30 Fix to 2/120 Fix is available during 30 fps mode only.<br>*1/60 Fix is available during 60 fps mode only.  |  |
|                    | Super Dynamic*2   | On / Off, the level can be set in the range of 0 to 31.   |  |
|                    | Dynamic Range   | 144 dB (Super Dynamic : On)   |  |
|                    | Image Settings  | Gain (AGC), White balance   |  |
|                    | Image Compensation  | Adaptive black stretch, Back light compensation (BLC),<br>Fog compensation, High light compensation (HLC),<br>Digital noise reduction   |  |
|                    | Color/BW (ICR)  | Off / On / Auto1 (Normal) / Auto2 (IR Light) / Auto3 (SCC)  |  |
|                    | Video Motion Detection (VMD)                                  | On / Off, 4 areas available   |  |
|                    | Intelligent VMD (i-VMD) *3                                    | Type4 *optional plug-in software WV-SAE200  |  |
|                    | Vehicle Incident Detection*3                                  | Detect "Stopped Vehicle" and "Wrong-way"<br>*optional plug-in software WV-XAE100W   |  |
|                    | Stabilizer*3  | On / Off (available only in the 30 fps mode)  |  |
|                    | Privacy Zone  | Filling/ Pixelate/ Off (up to 32 zones available)   |  |
| Camera Title (OSD) | On / Off up to 20 characters (alphanumeric characters, marks) |   |  |
| <b>Lens</b>        | Zoom Ratio  | 40x Optical   |  |
|                    | Digital (electronic) zoom                                     | 16x   |  |
|                    | Focal length  | 4.25 mm – 170 mm (5/32 inches – 6-11/16 inches)   |  |
|                    | Maximum Aperture Ratio  | 1 : 1.6 (WIDE) – 1 : 4.95 (TELE)  |  |
|                    | Focus range   | 3.0 m (9ft 10-1/8 inches) – ∞   |  |
|                    | Angular Field of view   | [16 : 9 mode] Horizontal : 2.1 ° (TELE) – 65 ° (WIDE)<br>Vertical : 1.2 ° (TELE) – 39 ° (WIDE)<br>[4 : 3 mode] Horizontal : 1.6 ° (TELE) – 51 ° (WIDE)<br>Vertical : 1.2 ° (TELE) – 39 ° (WIDE) |  |
|                    | <b>Pan/tilt</b>   | Panning Range   | 360° Endless panning   |
| Panning Speed      |   | Manual : Approx. 0.065°/s – 120°/s<br>Preset : Up to approx. 300°/s   |  |
| Tilting Range      |   | Operational range : -15° – 195° (level – downward – level)<br>Recommended range : 0° – 180°<br>Selectable tilting angle : 10°/5°/3°/0°/4°/-3°/4°/-5°/4°/-10°/4°/-15°/4°                         |  |
| Tilting Speed      |   | Manual: Approx. 0.065°/s – 120°/s<br>Preset: Up to approx. 300°/s   |  |
| Preset Positions   |   | 256 positions   |  |
| Auto Mode          |   | Auto track*3/ Auto pan/ Preset sequence/ Patrol   |  |
| Self Return        |   | 10 s/ 20 s/ 30 s/ 1 min/ 2 min/ 3 min/ 5 min/ 10 min/ 20 min/ 30 min/ 60 min  |  |
| <b>Browser GUI</b> |   | Camera Control  | Pan/Tilt, Zoom, Focus, Auto mode, Brightness, Preset, AUX, Rec. on SD, Log, Viewer software  |
|                    |   | Audio   | Mic (Line) Input : On / Off Volume adjustment : Low / Middle / High<br>Audio Output : On / Off Volume adjustment : Low / Middle / High |
|                    |   | GUI / Setup Menu Language   | English, Italian, French, German, Spanish, Portuguese, Russian, Chinese, Japanese  |
|                    | <b>Network</b>  | Network IF  | 10Base-T / 100Base-TX, RJ45 connector  |
| Resolution         |   | •1.3 mega pixel [16 : 9] (30/60 fps)<br>1280×720, 640×360, 320×180  |  |
| JPEG (MJPEG)       |   | •1.3 mega pixel [4:3] (30 fps mode)<br>1280×960, 800×600, VGA, 400×300, QVGA  |  |
| H.265/ H.264*5     |   | Transmission Mode Constant bit rate / VBR / Frame rate / Best effort  |  |
| JPEG               |   | Transmission Type Unicast / Multicast<br>Image Quality 10 steps   |  |

\*1 Converted value  
\*2 Super Dynamic function is automatically set off on 60 fps mode.  
\*3 Stabilizer, Auto track, Smart Facial Coding, i-VMD, Vehicle Incident Detection can not be used at the same time.

|                        |                                    |   |  |
|------------------------|------------------------------------|---|--|
| <b>Network</b>         | Smart Coding                       | Smart Facial Coding*3 : On(Smart Facial Coding)/ On(AUTO VICS)/ Off<br>* Smart Facial Coding is only available with Stream(1).<br>GOP(Group of pictures) control : On(Advanced)/ On(Low)/ On(Mid)/ Off<br>* On(Advanced) is only available with H.265.  |  |
|                        | Audio Compression                  | G.726 (ADPCM) : 16 kbps / 32 kbps,<br>G.711 : 64 kbps,<br>AAC-LC*6 : 64 kbps / 96 kbps / 128 kbps   |  |
|                        | Audio transmission mode            | Off / Mic (Line) input / Audio output / Interactive (Half duplex) /<br>Interactive (Full duplex)  |  |
|                        | Supported Protocol                 | IPv6 : TCP/IP, UDP/IP, HTTP, HTTPS, RTP, FTP, SMTP, DNS, NTP,<br>SNMP, DHCPv6, MLD, ICMP, ARP, IEEE 802.1X, DiffServ<br>IPv4 : TCP/IP, UDP/IP, HTTP, HTTPS, RTP, RTP/RTCP, FTP,<br>SMTP, DHCP, DNS, DDNS, NTP, SNMP, UPnP, IGMP, ICMP,<br>ARP, IEEE 802.1X, DiffServ  |  |
|                        | Maximum concurrent access number   | Up to 14 users (Depends on network conditions)  |  |
|                        | SDXC/SDHC/SD Memory Card (Option)  | H.265 / H.264 recording:<br>Manual REC / Alarm REC (Pre/Post) / Schedule REC /<br>Backup upon network failure<br>JPEG recording:<br>Manual REC / Alarm REC (Pre/Post) / Backup upon network failure<br>Compatible SDXC/SDHC/SD Memory Card:<br>Panasonic 2 GB, 4 GB*, 8 GB*, 16 GB*, 32 GB*, 64 GB**, 128 GB**<br>256 GB** model<br>*SDHC card, **SDXC card (except miniSD card and microSD card) |  |
|                        | Mobile Terminal Compatibility      | iPad / iPhone, Android™ mobile terminals  |  |
|                        | <b>Alarm</b>                       | Alarm Source  | 3 terminals input, VMD alarm*7, Command alarm, Audio detection alarm,<br>Auto track alarm  |
|                        |                                    | Alarm Actions   | SDXC/SDHC/SD memory recording, E-mail notification,<br>HTTP alarm notification, Indication on browser, FTP image transfer,<br>Panasonic protocol output                  |
|                        | <b>Input/ Output</b>               | Audio Input   | ø3.5 mm stereo mini jack (monaural input)<br>Input impedance: Approx. 2 kΩ (unbalanced)<br>(Applicable microphone : Plug-in power type)<br>Supply voltage : 4.0 V ±0.5 V |
| Audio Output*8         |                                    | ø3.5 mm stereo mini jack (monaural output)<br>Output impedance : Approx. 600 Ω (unbalanced)   |  |
| External I/O Terminals |                                    | ALARM IN 1 (Black & white input, Auto time adjustment input) (x1),<br>ALARM IN 2 (ALARM OUT) (x1), ALARM IN 3 (AUX OUT) (x1)  |  |
| <b>General</b>         | Power Source and Power Consumption | AC24 V 3.4 A, Approx. 55 W<br>PoE+ (IEEE802.3at compliant): DC 54V 470 mA, Approx. 25 W<br>Tested POE Injector (60 W) : DC 54V 1.0 A, Approx. 50 W  |  |
|                        | Ambient Operating Temperature      | -50 °C to +60 °C (-58 °F to +140 °F)<br>(AC 24 V / Tested PoE injector (60 W))<br>-30 °C to +60 °C (-22 °F to +140 °F) (PoE+ device)<br>{Power On range: -30 °C to +60 °C (-22 °F to +140 °F)}  |  |
|                        | Ambient Operating Humidity         | 10 to 100 % (no condensation)   |  |
|                        | Water and Dust Resistance          | IP66 (IEC60529), Type 4X (UL50), NEMA 4X compliant  |  |
|                        | Shock Resistance                   | IK10 (IEC62262)   |  |
|                        | Dimensions                         | Maximum ø229 mm × 393 (H) mm (ø9-1/32 inches × 15-15/32 inches (H))   |  |
|                        | Mass (approx.)                     | Approx. 5.2 kg (11.47 lbs)  |  |
|                        | Finish                             | Main body : Aluminum die cast, Natural silver<br>Sunshields : ABS+PC resin coating, Natural silver<br>Outer fixing screws : SUS (Corrosion-resistant treatment)<br>Dome cover : Polycarbonate resin<br>(with ClearSight coating (rain wash coating)), Clear   |  |




\*4 If "0 °", "-3 °", "-5 °", "-10 °", or "-15 °" is selected, the area hidden by the camera housing may increase when the tilt angle of the camera is almost level. When "-15 °" is selected for "Tilt Angle", the upper half of images will be hidden.  
\*5 Transmission for 4 streams can be individually set.  
\*6 Only use AAC-LC (Advanced Audio Coding - Low Complexity) when recording audio on an SD memory card.  
\*7 Including alarms from Plug-in Software  
\*8 The audio output can be switched to the monitor output. Refer to the Operating Instructions on the provided CD-ROM for descriptions of how to switch the output.

## Appearance



**Trademarks and registered trademarks**  
 - iPad and iPhone are registered trademarks of Apple Inc.  
 - Android is a trademark of Google Inc.  
 - ONVIF and the ONVIF logo are trademarks or registered trademarks of ONVIF Inc.  
 - All other trademarks identified herein are the property of their respective owners.

## Optional Accessories

|   |   |   |                 |              |                 |                           |  |  |
|---|---|---|-----------------|--------------|-----------------|---------------------------|--|--|
| <b>Ceiling Mount Bracket WV-Q121B</b><br>  | <b>Wall Mount Bracket WV-Q122A</b><br> | <b>Plug-in Software for i-VMD WV-SAE200</b><br>i-VMD is possible to detect objects in the specified area by advanced video analysis technology.<br>i-VMD : Intruder Detection, Loitering Detection, Direction Detection, Scene Change Detection, Object Detection, Cross Line Detection |                 |              |                 |                           |  |  |
| <b>Plug-in Software for Vehicle Incident Detection WV-XAE100W</b><br>Camera detects vehicle incidents on the road with video analytics technology.  |   |    |                 |              |                 |                           |  |  |
| <table border="1"> <tr> <td>Target Incident</td> <td>Wrong-way / Stopped vehicle</td> </tr> <tr> <td>Number of Lanes</td> <td>Max. 4 lanes</td> </tr> <tr> <td>Detection scene</td> <td>Max. 256 preset positions</td> </tr> </table> | Target Incident   | Wrong-way / Stopped vehicle   | Number of Lanes | Max. 4 lanes | Detection scene | Max. 256 preset positions |  |  |
| Target Incident   | Wrong-way / Stopped vehicle   |   |                 |              |                 |                           |  |  |
| Number of Lanes   | Max. 4 lanes  |   |                 |              |                 |                           |  |  |
| Detection scene   | Max. 256 preset positions   |   |                 |              |                 |                           |  |  |

**Important**  
 - Safety Precaution : Carefully read the Important Information, Installation Guide and operating instructions before using this product.  
 - Panasonic cannot be responsible for the performance of the network and/or other manufacturers' products used on the network.  
 • Masses and dimensions are approximate. • Specifications are subject to change without notice.

DISTRIBUTED BY :

# Panasonic

<http://security.panasonic.com>  
<http://www.facebook.com/PanasonicNetworkCamera>